

## 934 Flush Compression Latch

### Features

- The 934 Series flush compression lock is a zinc die cast latch that features a handle that pops up when the centre button is depressed
- This ergonomic latch is blind mount, water resistant, and offers an adjustable grip range of .03" to 1.36" for a variety of panel applications
- The water resistant latch also includes a preinstalled mounting gasket
- The standard mounting bracket is designed for panel thickness of .03" to .25" and includes the self tapping screws
- Cutout is 2.5" diameter for ease of mounting for locking and non-locking versions

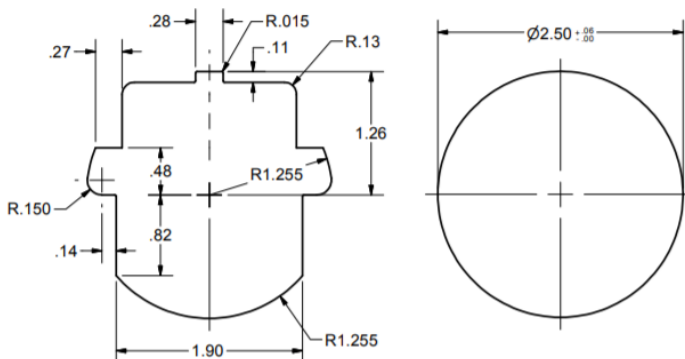
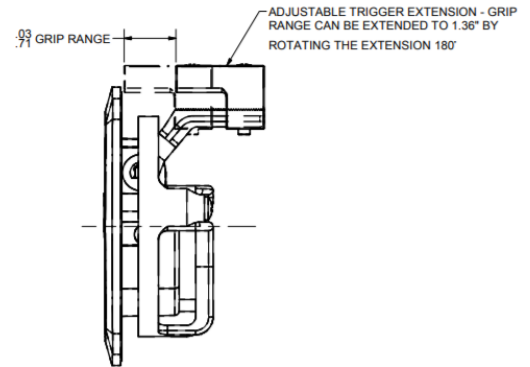
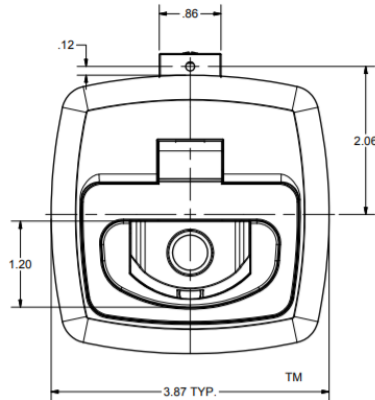
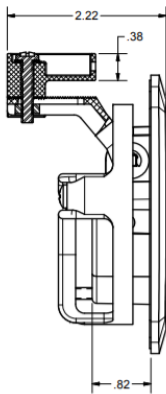
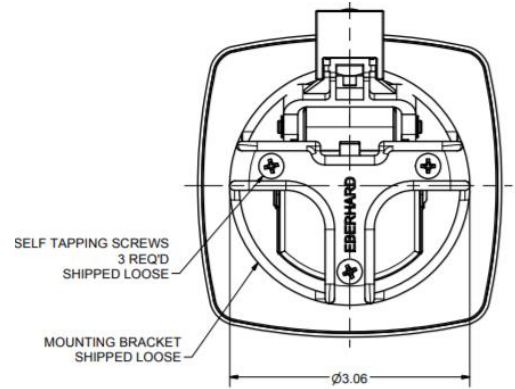
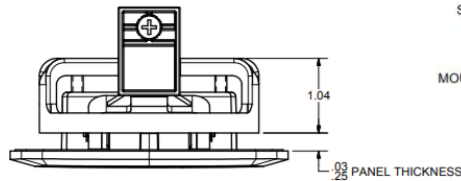
### Available Finishes

- (35) Polished chrome handle, black textured receptacle
- (03) Chrome handle and receptacle
- (42) Black textured handle and receptacle

### Notes

- Key codes 100 - 110 available

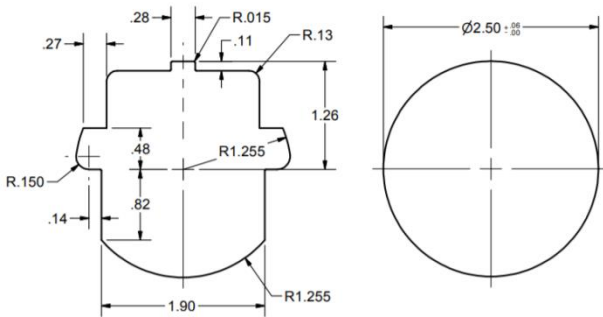
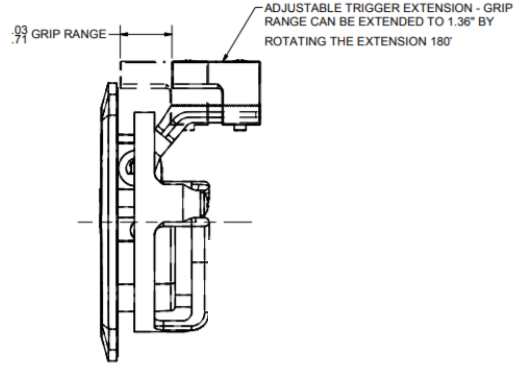
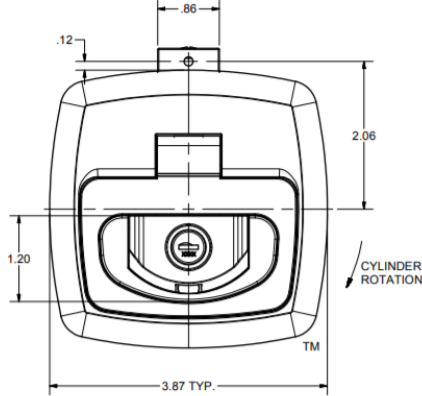
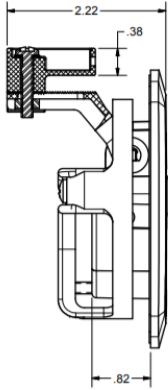
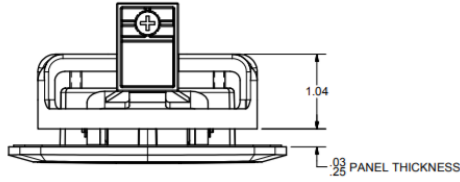
### Non-Locking Model



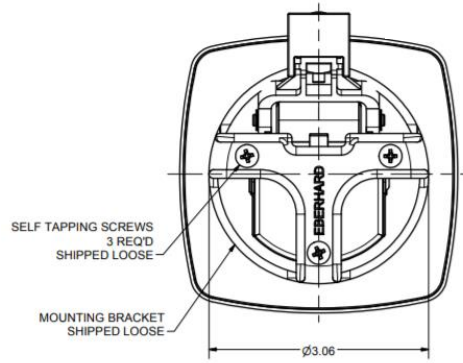
Dimensions in inches

TWO SUGGESTED CUTOUTS

## Key Locking Model



TWO SUGGESTED CUTOUTS



Part No.	Key Type	Finish
934-35	Non Locking	Polished chrome handle, black textured receptacle
934-03		Chrome handle and receptacle
934-42		Black textured handle and receptacle
100-934-K-34	Key Locking	Polished chrome handle, black textured receptacle
100-934-K-03		Chrome handle and receptacle
100-934-K-42		Black textured handle and receptacle

Dimensions in metric [inches]

We are Eberhard's exclusive distributor

